

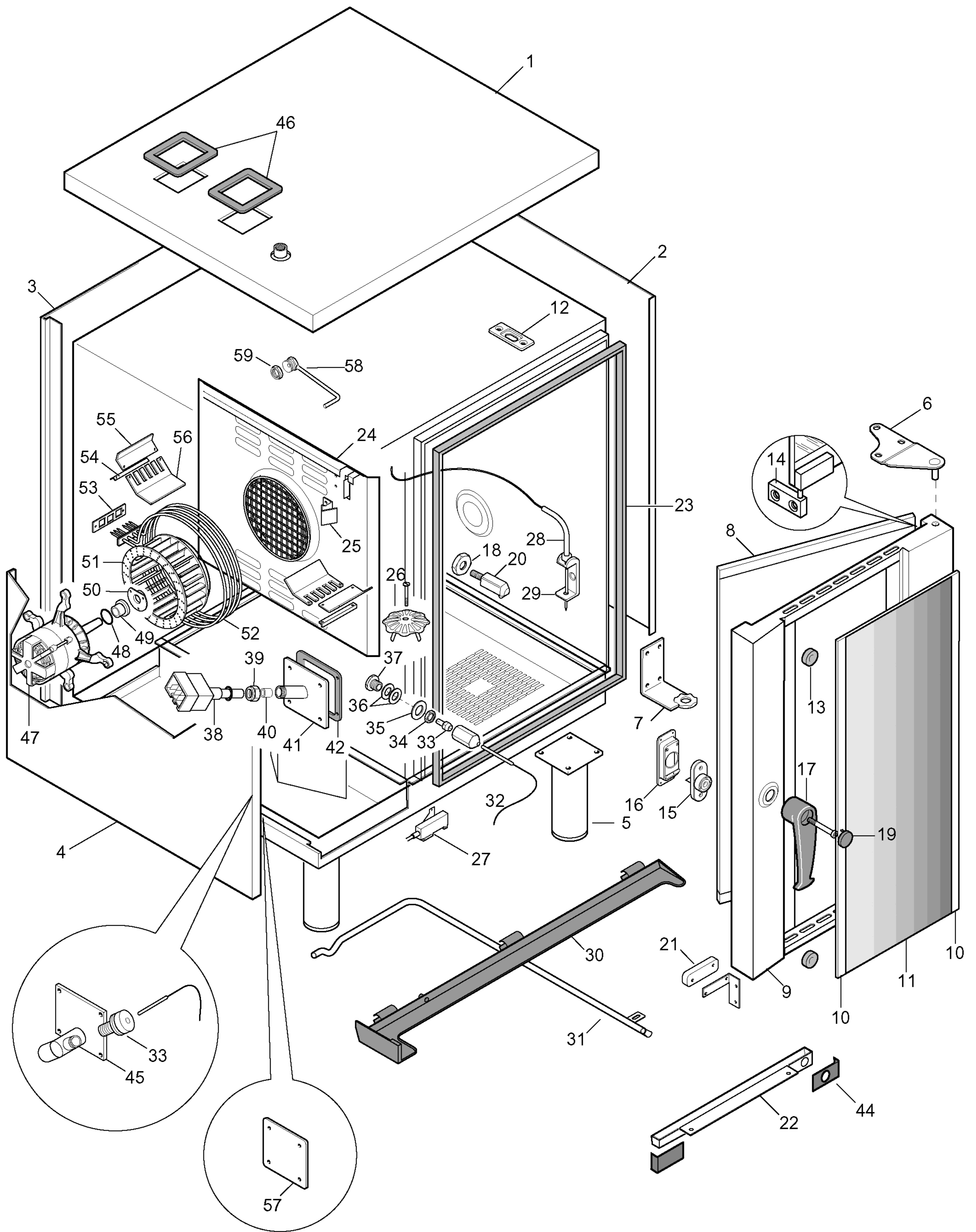
OvensPlatformViale Treviso, 15
33170 Pordenone - Italy
Fax: +39 0434-380577**10 GN 2/1 ELECTRIC STEAM - CONVECTION OVEN**
FORNO CONVEZIONE- VAPORE ELETTRICO 10 GN 2/1

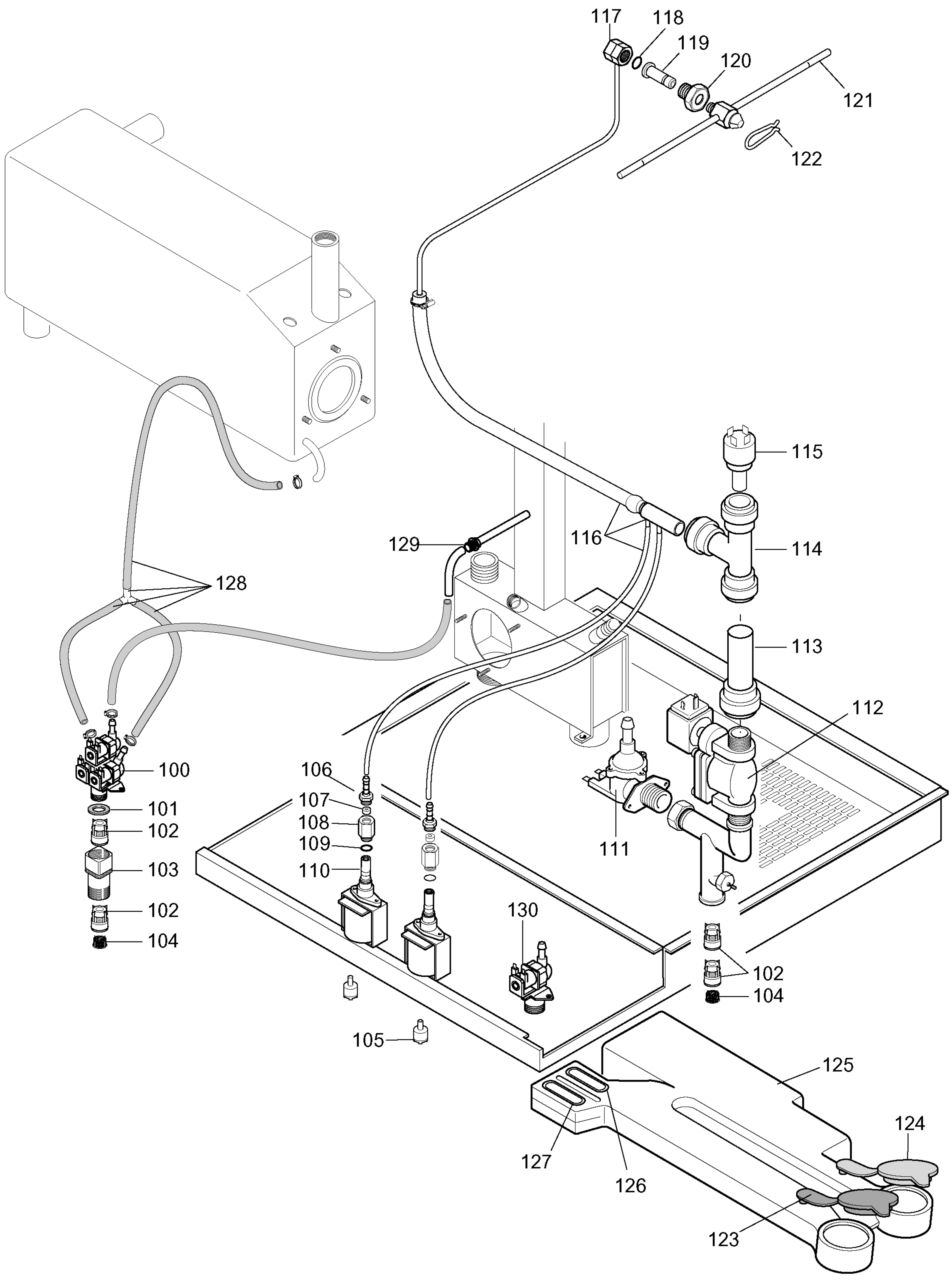
PNC	Model	Ref.	Page	Notes
237003	FCZ102EAA	a	2-3-4-5-6	Level/Livello A
238003	FCZ102EBA	b	2-3-4-5-6	Level/Livello B
239003	FCZ102ECA	c	2-3-4-5-6	Level/Livello C

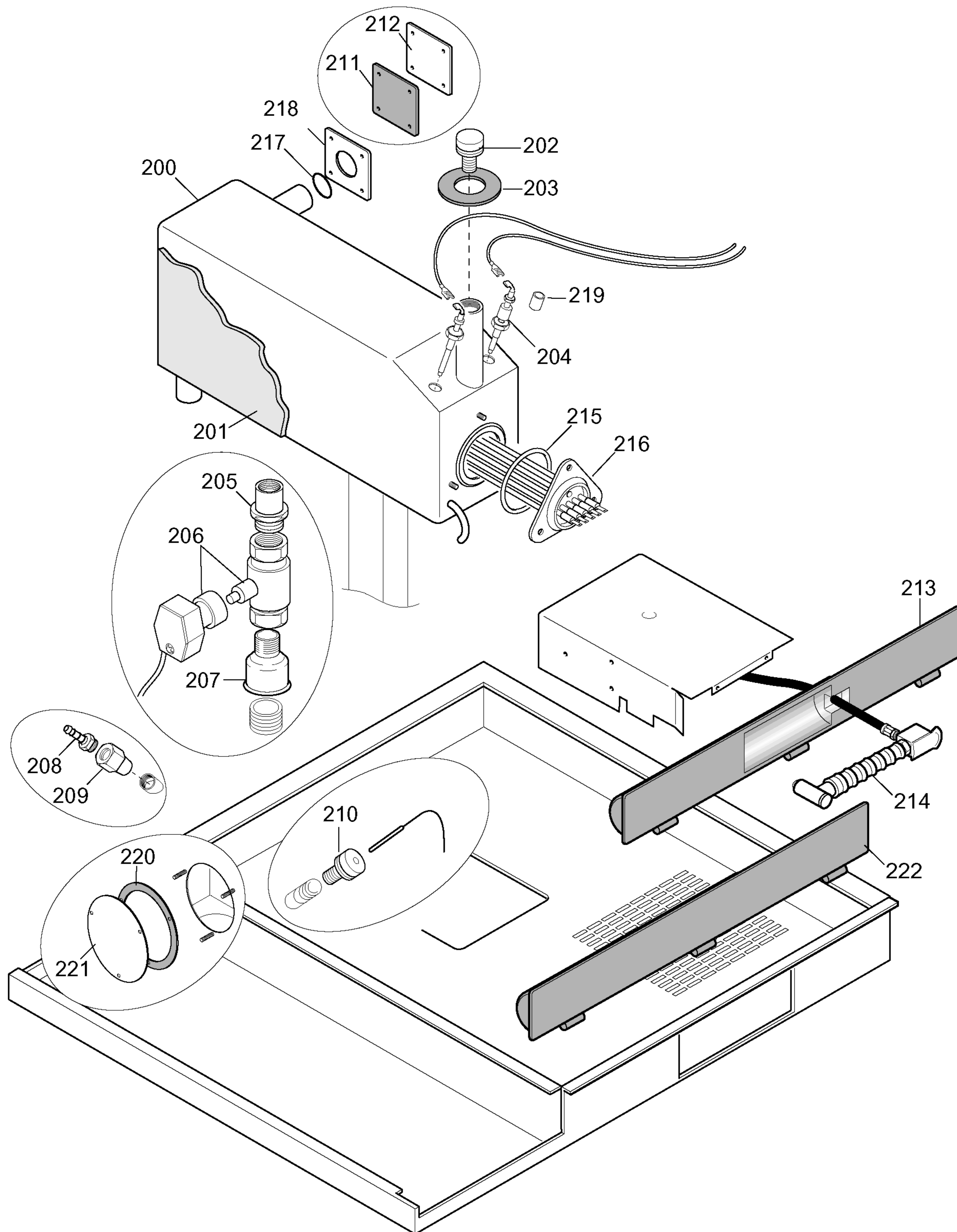
	Index	Indice
Pag. 2	Oven cabinet and door	Cella forno e porta
3	Water system	Impianto idraulico
4	Boiler	Boiler
5	Electrical components	Componenti elettrici
6	Tray support	Struttura portateglie
7-10	Spare part list	Lista ricambi

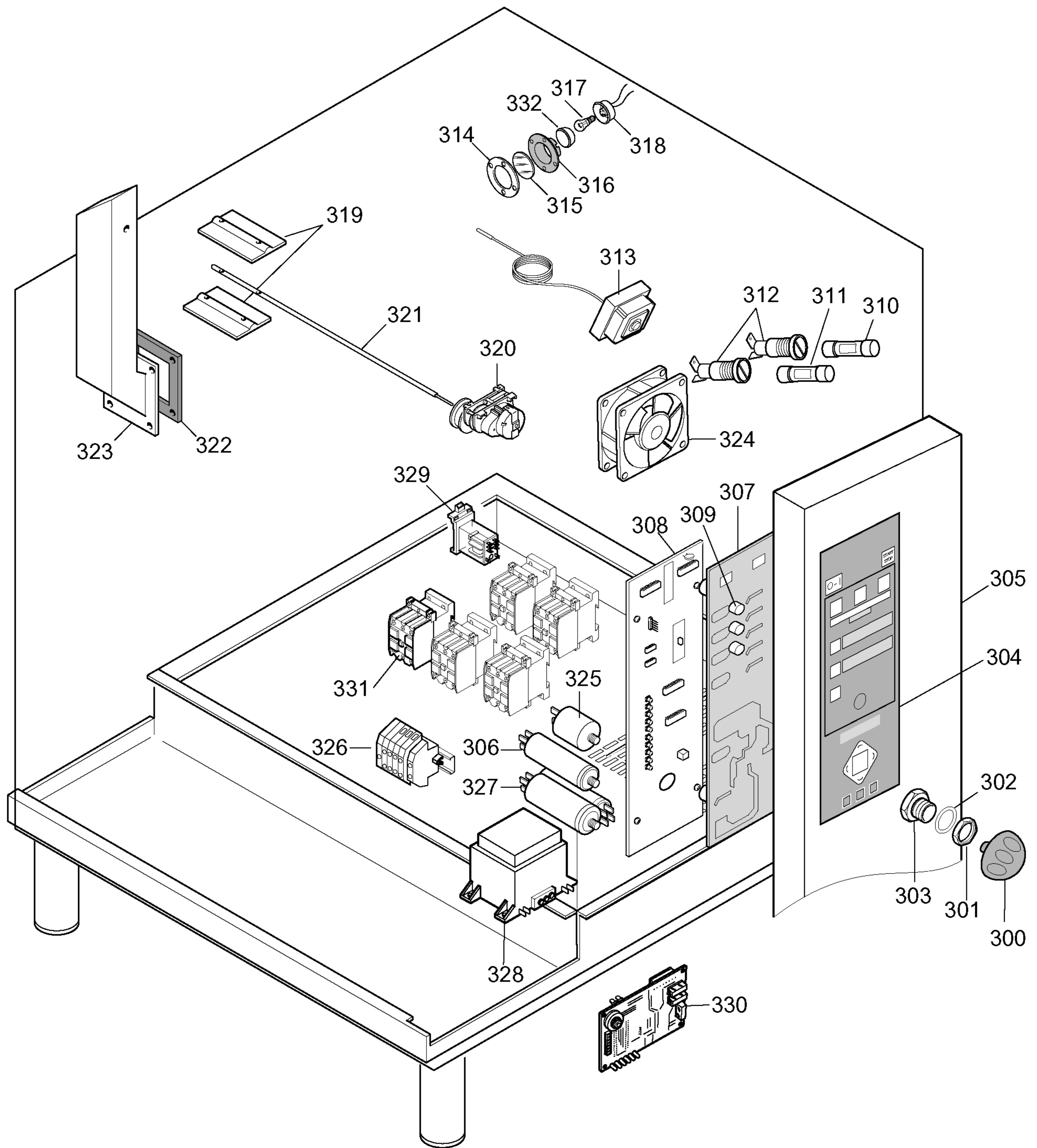
Brand / Marchio : ZANUSSI
Factory code: 9PDD

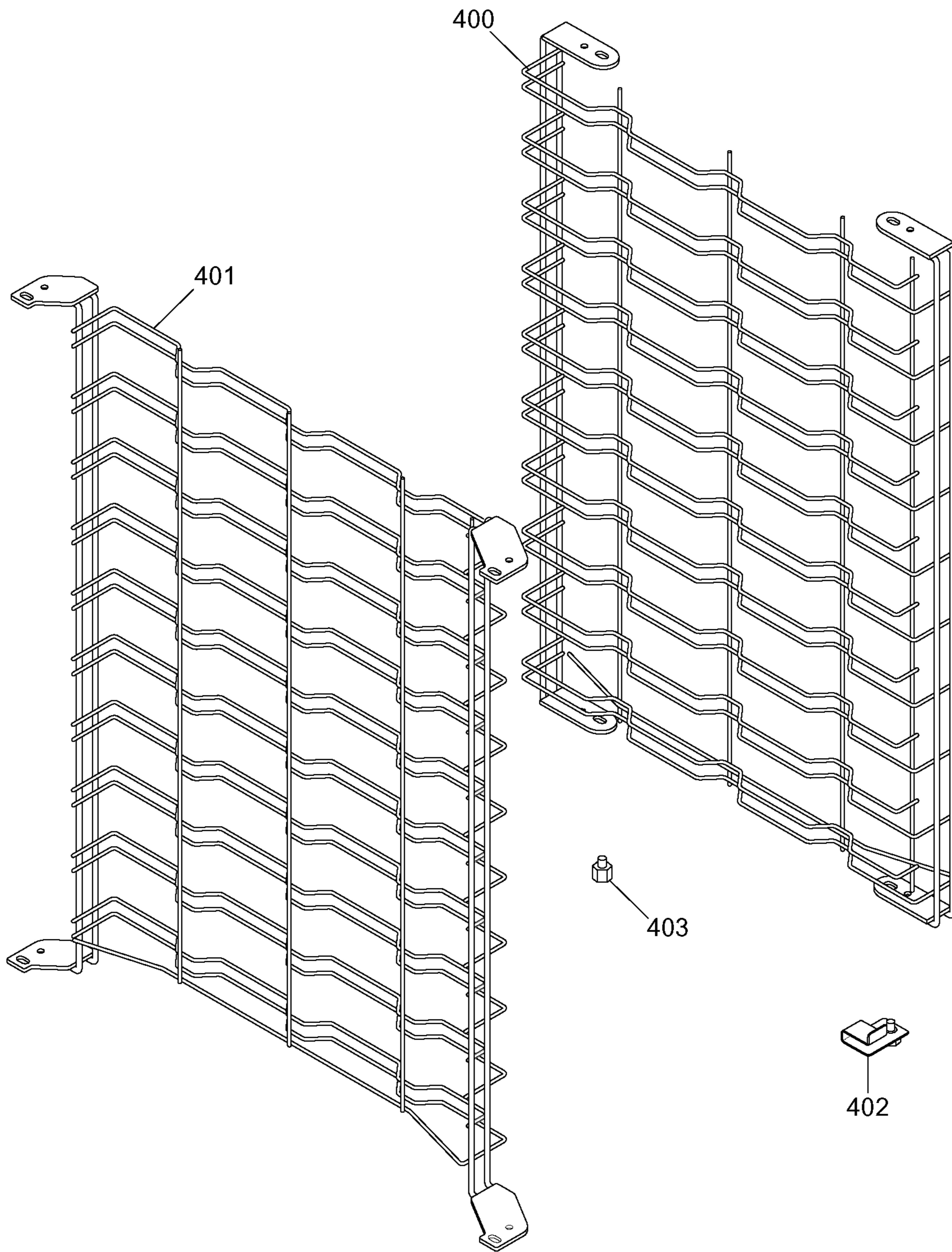
OV / DOC









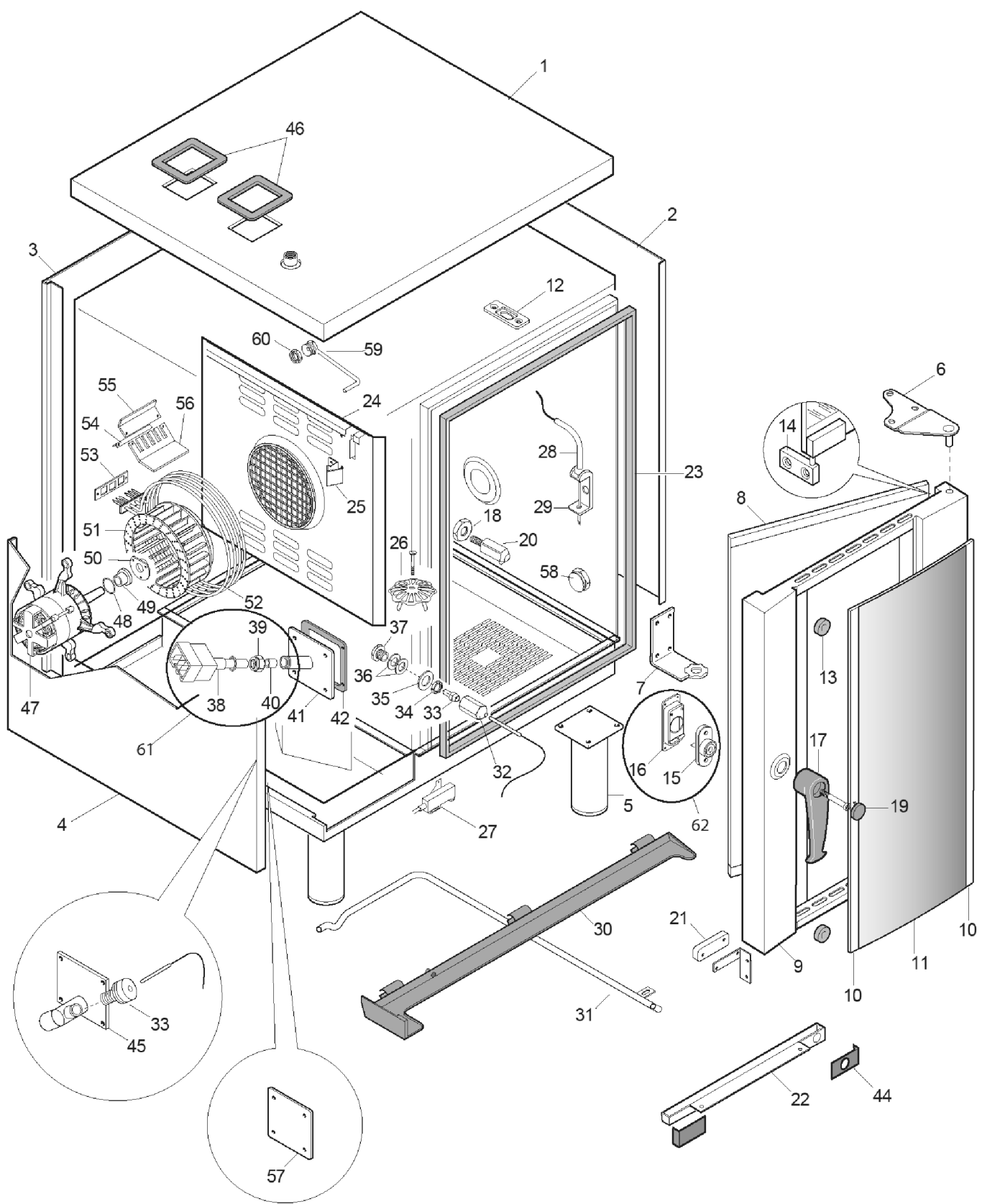


10 GN 2/1 ELECTRIC CONVECTION / STEAM OVEN
FORNO CONVEZIONE / VAPORE ELETTRICO 10 GN 2/1

PNC	Model	Ref	Group	Level	Page	Notes
267003	AOS102EAA1	a	AOS	Level A	2...11	400V 3N 50Hz
267063	AOS102EAS1	b	AOS	Level A	2...11	400V 3N 50Hz Woolw.
267083	AOS102EAM1	c	AOS	Level A	2...11	208V 3 USA
267093	AOS102EAB1	d	AOS	Level A	2...11	240V 3 USA
267103	AOS102EAK1	e	AOS	Level A	2...11	400V 3N 50Hz UK
267113	AOS102EAT1	f	AOS	Level A	2...11	400V 3N China
268003	AOS102EBA1	g	AOS	Level B	2...11	400V 3N 50Hz
268103	AOS102EBK1	h	AOS	Level B	2...11	400V 3N 50Hz UK
269003	AOS102ECA1	i	AOS	Level C	2...11	400V 3N 50Hz
269083	AOS102ECM1	l	AOS	Level C	2...11	208V 3 USA
269093	AOS102ECB1	m	AOS	Level C	2...11	240V 3 USA
237003	FCZ102EAA	n	FCZ	Level A	2...11	400V 3N 50Hz
238003	FCZ102EBA	o	FCZ	Level B	2...11	400V 3N 50Hz
239003	FCZ102ECA	p	FCZ	Level C	2...11	400V 3N 50Hz

Pag	Index	Indice	Note
2	Oven cabinet and door.	Cella forno e porta	
3	Water system	Impianto idraulico	
4	Boiler	Boiler	
5	Electrical components	Componenti elettrici	
6	Accessories	Accessori	
7...10	Spare parts list	Lista ricambi	

Brand/Marchio: All
Factory code: 9PDD



[

